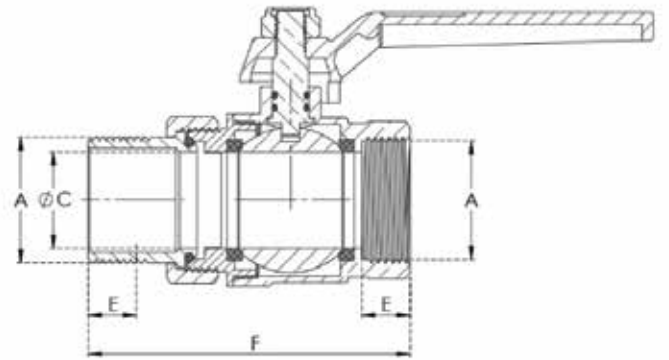
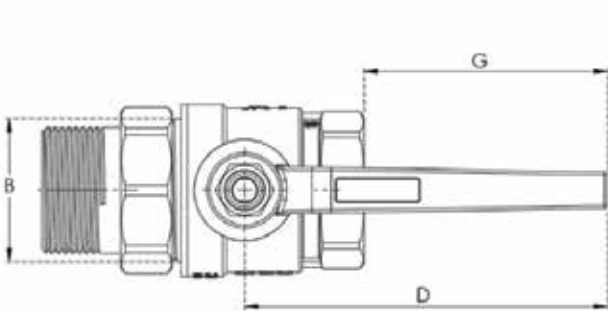


BALL VALVES WITH RAKOR

Use: Control of the fluid level, sewage and drainage pump start/stop, alarm for liquid level etc.

Features

Full pass and high flow capacity.
 Long lasting.
 Used in hot and cold water, air compressors and oils.
 It provides advantage in installation with sleeve coupling.



Model	A	B	C	D (mm)	E (mm)	F (mm)	G (mm)
VKR11	1 1/4"	1 1/2"	Q32	120	16	108	85
VKR12	1 1/2"	2"	Q40	120	16	118	80
VKR13	2"	2 1/2"	Q50	150	19	130	100

Approvals

