

## BALL VALVES

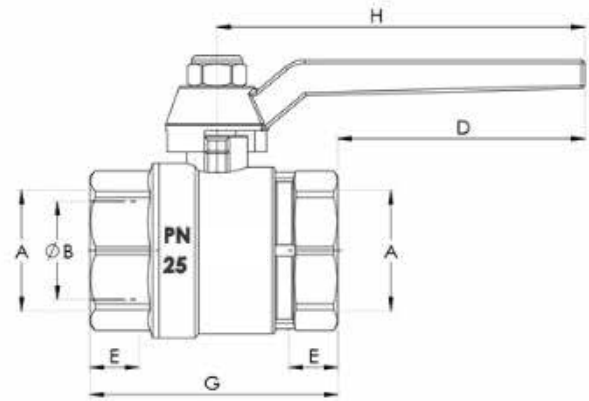
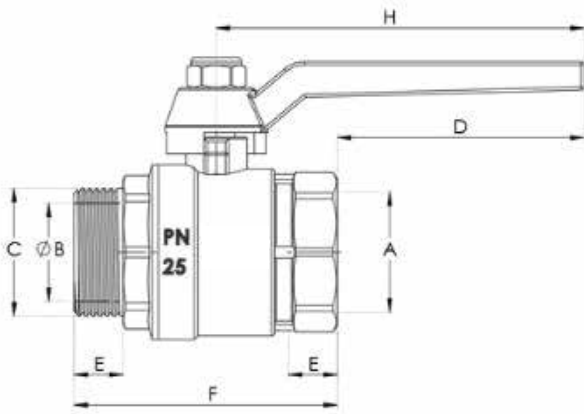
**Use:** Control of the fluid level, sewage and drainage pump start/stop, alarm for liquid level etc.

### Features

Full pass and high flow capacity.

Long lasting.

It is used in hot and cold water, air compressors and oils.



Model	A	B	C	D (mm)	E (mm)	F (mm)	G (mm)
VKi10 & VKD10	1"	Q25	1"	45	14	77	68
VKi11 & VKD11	1 1/4"	Q32	1 1/4"	80	16	86	78
VKi12 & VKD12	1 1/2"	Q40	1 1/2"	85	16	102	92
VKi13 & VKD13	2"	Q50	2"	100	19	117	105
VKi14	2 1/2"	Q58		80	25		133
VKi15	3"	Q62		150	25		230

### Approvals

